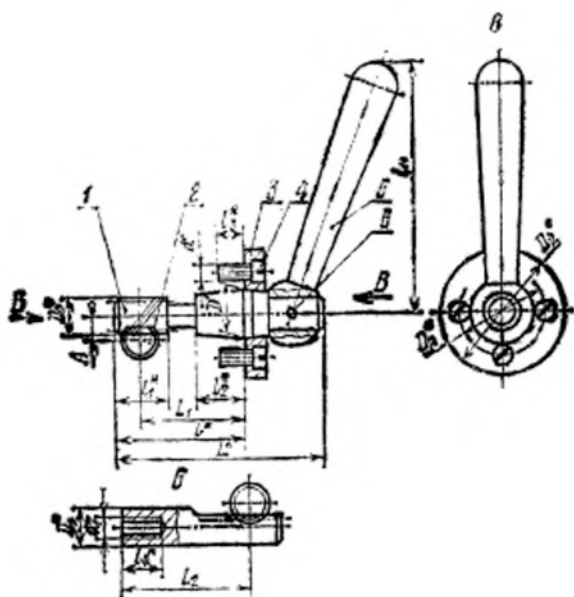


**ЗАЖИМЫ РЕЕЧНЫЕ С КОНУСНЫМ ЗАМКОВ  
ДЛЯ СТАНОЧНЫХ ПРИСПОСОБЛЕНИЙ****Конструкция**Rack type clips with tapered lock for  
machine retaining devices.  
Design**ГОСТ****13163—67****Дата введения 01.07.68**

Настоящий стандарт распространяется на реечные зажимы с конусным замком. Зажим является самотормозящим и применяется в тех случаях, когда зажимную часть приспособления требуется отодвинуть на значительную величину от места установки обрабатываемой детали.

**1. КОНСТРУКЦИЯ И РАЗМЕРЫ РЕЕЧНЫХ ЗАЖИМОВ  
С КОНУСНЫМ ЗАМКОВ**

1.1. Конструкция и размеры реечных зажимов с конусным замком должны соответствовать указанным на черт. 1 и в табл. 1.



а Размеры для справок.

Черт. 1

Таблица 1

Обозначение зажимов	Пункт нормы	D h12	l	l <sub>1</sub>	D <sub>1</sub> l <sub>1</sub>	D <sub>2</sub>	D <sub>3</sub>	D <sub>4</sub>	D <sub>5</sub>	D <sub>6</sub> g <sub>6</sub>	α	d <sub>1</sub>	L	L <sub>1</sub>	L <sub>2</sub>		L <sub>3</sub>	L <sub>4</sub>	L <sub>5</sub>	L <sub>6</sub>	L <sub>7</sub>	L <sub>8</sub>	L <sub>9</sub>	L <sub>10</sub>	L <sub>11</sub>	L <sub>12</sub>	L <sub>13</sub>	L <sub>14</sub>	L <sub>15</sub>	L <sub>16</sub>	L <sub>17</sub>	L <sub>18</sub>	L <sub>19</sub>	L <sub>20</sub>	L <sub>21</sub>	L <sub>22</sub>	L <sub>23</sub>	L <sub>24</sub>	L <sub>25</sub>	L <sub>26</sub>	L <sub>27</sub>	L <sub>28</sub>	L <sub>29</sub>	L <sub>30</sub>	L <sub>31</sub>	L <sub>32</sub>	L <sub>33</sub>	L <sub>34</sub>	L <sub>35</sub>	L <sub>36</sub>	L <sub>37</sub>	L <sub>38</sub>	L <sub>39</sub>	L <sub>40</sub>	L <sub>41</sub>	L <sub>42</sub>	L <sub>43</sub>	L <sub>44</sub>	L <sub>45</sub>	L <sub>46</sub>	L <sub>47</sub>	L <sub>48</sub>	L <sub>49</sub>	L <sub>50</sub>	L <sub>51</sub>	L <sub>52</sub>	L <sub>53</sub>	L <sub>54</sub>	L <sub>55</sub>	L <sub>56</sub>	L <sub>57</sub>	L <sub>58</sub>	L <sub>59</sub>	L <sub>60</sub>	L <sub>61</sub>	L <sub>62</sub>	L <sub>63</sub>	L <sub>64</sub>	L <sub>65</sub>	L <sub>66</sub>	L <sub>67</sub>	L <sub>68</sub>	L <sub>69</sub>	L <sub>70</sub>	L <sub>71</sub>	L <sub>72</sub>	L <sub>73</sub>	L <sub>74</sub>	L <sub>75</sub>	L <sub>76</sub>	L <sub>77</sub>	L <sub>78</sub>	L <sub>79</sub>	L <sub>80</sub>	L <sub>81</sub>	L <sub>82</sub>	L <sub>83</sub>	L <sub>84</sub>	L <sub>85</sub>	L <sub>86</sub>	L <sub>87</sub>	L <sub>88</sub>	L <sub>89</sub>	L <sub>90</sub>	L <sub>91</sub>	L <sub>92</sub>	L <sub>93</sub>	L <sub>94</sub>	L <sub>95</sub>	L <sub>96</sub>	L <sub>97</sub>	L <sub>98</sub>	L <sub>99</sub>	L <sub>100</sub>	L <sub>101</sub>	L <sub>102</sub>	L <sub>103</sub>	L <sub>104</sub>	L <sub>105</sub>	L <sub>106</sub>	L <sub>107</sub>	L <sub>108</sub>	L <sub>109</sub>	L <sub>110</sub>	L <sub>111</sub>	L <sub>112</sub>	L <sub>113</sub>	L <sub>114</sub>	L <sub>115</sub>	L <sub>116</sub>	L <sub>117</sub>	L <sub>118</sub>	L <sub>119</sub>	L <sub>120</sub>	L <sub>121</sub>	L <sub>122</sub>	L <sub>123</sub>	L <sub>124</sub>	L <sub>125</sub>	L <sub>126</sub>	L <sub>127</sub>	L <sub>128</sub>	L <sub>129</sub>	L <sub>130</sub>	L <sub>131</sub>	L <sub>132</sub>	L <sub>133</sub>	L <sub>134</sub>	L <sub>135</sub>	L <sub>136</sub>	L <sub>137</sub>	L <sub>138</sub>	L <sub>139</sub>	L <sub>140</sub>	L <sub>141</sub>	L <sub>142</sub>	L <sub>143</sub>	L <sub>144</sub>	L <sub>145</sub>	L <sub>146</sub>	L <sub>147</sub>	L <sub>148</sub>	L <sub>149</sub>	L <sub>150</sub>	L <sub>151</sub>	L <sub>152</sub>	L <sub>153</sub>	L <sub>154</sub>	L <sub>155</sub>	L <sub>156</sub>	L <sub>157</sub>	L <sub>158</sub>	L <sub>159</sub>	L <sub>160</sub>	L <sub>161</sub>	L <sub>162</sub>	L <sub>163</sub>	L <sub>164</sub>	L <sub>165</sub>	L <sub>166</sub>	L <sub>167</sub>	L <sub>168</sub>	L <sub>169</sub>	L <sub>170</sub>	L <sub>171</sub>	L <sub>172</sub>	L <sub>173</sub>	L <sub>174</sub>	L <sub>175</sub>	L <sub>176</sub>	L <sub>177</sub>	L <sub>178</sub>	L <sub>179</sub>	L <sub>180</sub>	L <sub>181</sub>	L <sub>182</sub>	L <sub>183</sub>	L <sub>184</sub>	L <sub>185</sub>	L <sub>186</sub>	L <sub>187</sub>	L <sub>188</sub>	L <sub>189</sub>	L <sub>190</sub>	L <sub>191</sub>	L <sub>192</sub>	L <sub>193</sub>	L <sub>194</sub>	L <sub>195</sub>	L <sub>196</sub>	L <sub>197</sub>	L <sub>198</sub>	L <sub>199</sub>	L <sub>200</sub>	L <sub>201</sub>	L <sub>202</sub>	L <sub>203</sub>	L <sub>204</sub>	L <sub>205</sub>	L <sub>206</sub>	L <sub>207</sub>	L <sub>208</sub>	L <sub>209</sub>	L <sub>210</sub>	L <sub>211</sub>	L <sub>212</sub>	L <sub>213</sub>	L <sub>214</sub>	L <sub>215</sub>	L <sub>216</sub>	L <sub>217</sub>	L <sub>218</sub>	L <sub>219</sub>	L <sub>220</sub>	L <sub>221</sub>	L <sub>222</sub>	L <sub>223</sub>	L <sub>224</sub>	L <sub>225</sub>	L <sub>226</sub>	L <sub>227</sub>	L <sub>228</sub>	L <sub>229</sub>	L <sub>230</sub>	L <sub>231</sub>	L <sub>232</sub>	L <sub>233</sub>	L <sub>234</sub>	L <sub>235</sub>	L <sub>236</sub>	L <sub>237</sub>	L <sub>238</sub>	L <sub>239</sub>	L <sub>240</sub>	L <sub>241</sub>	L <sub>242</sub>	L <sub>243</sub>	L <sub>244</sub>	L <sub>245</sub>	L <sub>246</sub>	L <sub>247</sub>	L <sub>248</sub>	L <sub>249</sub>	L <sub>250</sub>	L <sub>251</sub>	L <sub>252</sub>	L <sub>253</sub>	L <sub>254</sub>	L <sub>255</sub>	L <sub>256</sub>	L <sub>257</sub>	L <sub>258</sub>	L <sub>259</sub>	L <sub>260</sub>	L <sub>261</sub>	L <sub>262</sub>	L <sub>263</sub>	L <sub>264</sub>	L <sub>265</sub>	L <sub>266</sub>	L <sub>267</sub>	L <sub>268</sub>	L <sub>269</sub>	L <sub>270</sub>	L <sub>271</sub>	L <sub>272</sub>	L <sub>273</sub>	L <sub>274</sub>	L <sub>275</sub>	L <sub>276</sub>	L <sub>277</sub>	L <sub>278</sub>	L <sub>279</sub>	L <sub>280</sub>	L <sub>281</sub>	L <sub>282</sub>	L <sub>283</sub>	L <sub>284</sub>	L <sub>285</sub>	L <sub>286</sub>	L <sub>287</sub>	L <sub>288</sub>	L <sub>289</sub>	L <sub>290</sub>	L <sub>291</sub>	L <sub>292</sub>	L <sub>293</sub>	L <sub>294</sub>	L <sub>295</sub>	L <sub>296</sub>	L <sub>297</sub>	L <sub>298</sub>	L <sub>299</sub>	L <sub>300</sub>	L <sub>301</sub>	L <sub>302</sub>	L <sub>303</sub>	L <sub>304</sub>	L <sub>305</sub>	L <sub>306</sub>	L <sub>307</sub>	L <sub>308</sub>	L <sub>309</sub>	L <sub>310</sub>	L <sub>311</sub>	L <sub>312</sub>	L <sub>313</sub>	L <sub>314</sub>	L <sub>315</sub>	L <sub>316</sub>	L <sub>317</sub>	L <sub>318</sub>	L <sub>319</sub>	L <sub>320</sub>	L <sub>321</sub>	L <sub>322</sub>	L <sub>323</sub>	L <sub>324</sub>	L <sub>325</sub>	L <sub>326</sub>	L <sub>327</sub>	L <sub>328</sub>	L <sub>329</sub>	L <sub>330</sub>	L <sub>331</sub>	L <sub>332</sub>	L <sub>333</sub>	L <sub>334</sub>	L <sub>335</sub>	L <sub>336</sub>	L <sub>337</sub>	L <sub>338</sub>	L <sub>339</sub>	L <sub>340</sub>	L <sub>341</sub>	L <sub>342</sub>	L <sub>343</sub>	L <sub>344</sub>	L <sub>345</sub>	L <sub>346</sub>	L <sub>347</sub>	L <sub>348</sub>	L <sub>349</sub>	L <sub>350</sub>	L <sub>351</sub>	L <sub>352</sub>	L <sub>353</sub>	L <sub>354</sub>	L <sub>355</sub>	L <sub>356</sub>	L <sub>357</sub>	L <sub>358</sub>	L <sub>359</sub>	L <sub>360</sub>	L <sub>361</sub>	L <sub>362</sub>	L <sub>363</sub>	L <sub>364</sub>	L <sub>365</sub>	L <sub>366</sub>	L <sub>367</sub>	L <sub>368</sub>	L <sub>369</sub>	L <sub>370</sub>	L <sub>371</sub>	L <sub>372</sub>	L <sub>373</sub>	L <sub>374</sub>	L <sub>375</sub>	L <sub>376</sub>	L <sub>377</sub>	L <sub>378</sub>	L <sub>379</sub>	L <sub>380</sub>	L <sub>381</sub>	L <sub>382</sub>	L <sub>383</sub>	L <sub>384</sub>	L <sub>385</sub>	L <sub>386</sub>	L <sub>387</sub>	L <sub>388</sub>	L <sub>389</sub>	L <sub>390</sub>	L <sub>391</sub>	L <sub>392</sub>	L <sub>393</sub>	L <sub>394</sub>	L <sub>395</sub>	L <sub>396</sub>	L <sub>397</sub>	L <sub>398</sub>	L <sub>399</sub>	L <sub>400</sub>	L <sub>401</sub>	L <sub>402</sub>	L <sub>403</sub>	L <sub>404</sub>	L <sub>405</sub>	L <sub>406</sub>	L <sub>407</sub>	L <sub>408</sub>	L <sub>409</sub>	L <sub>410</sub>	L <sub>411</sub>	L <sub>412</sub>	L <sub>413</sub>	L <sub>414</sub>	L <sub>415</sub>	L <sub>416</sub>	L <sub>417</sub>	L <sub>418</sub>	L <sub>419</sub>	L <sub>420</sub>	L <sub>421</sub>	L <sub>422</sub>	L <sub>423</sub>	L <sub>424</sub>	L <sub>425</sub>	L <sub>426</sub>	L <sub>427</sub>	L <sub>428</sub>	L <sub>429</sub>	L <sub>430</sub>	L <sub>431</sub>	L <sub>432</sub>	L <sub>433</sub>	L <sub>434</sub>	L <sub>435</sub>	L <sub>436</sub>	L <sub>437</sub>	L <sub>438</sub>	L <sub>439</sub>	L <sub>440</sub>	L <sub>441</sub>	L <sub>442</sub>	L <sub>443</sub>	L <sub>444</sub>	L <sub>445</sub>	L <sub>446</sub>	L <sub>447</sub>	L <sub>448</sub>	L <sub>449</sub>	L <sub>450</sub>	L <sub>451</sub>	L <sub>452</sub>	L <sub>453</sub>	L <sub>454</sub>	L <sub>455</sub>	L <sub>456</sub>	L <sub>457</sub>	L <sub>458</sub>	L <sub>459</sub>	L <sub>460</sub>	L <sub>461</sub>	L <sub>462</sub>	L <sub>463</sub>	L <sub>464</sub>	L <sub>465</sub>	L <sub>466</sub>	L <sub>467</sub>	L <sub>468</sub>	L <sub>469</sub>	L <sub>470</sub>	L <sub>471</sub>	L <sub>472</sub>	L <sub>473</sub>	L <sub>474</sub>	L <sub>475</sub>	L <sub>476</sub>	L <sub>477</sub>	L <sub>478</sub>	L <sub>479</sub>	L <sub>480</sub>	L <sub>481</sub>	L <sub>482</sub>	L <sub>483</sub>	L <sub>484</sub>	L <sub>485</sub>	L <sub>486</sub>	L <sub>487</sub>	L <sub>488</sub>	L <sub>489</sub>	L <sub>490</sub>	L <sub>491</sub>	L <sub>492</sub>	L <sub>493</sub>	L <sub>494</sub>	L <sub>495</sub>	L <sub>496</sub>	L <sub>497</sub>	L <sub>498</sub>	L <sub>499</sub>	L <sub>500</sub>	L <sub>501</sub>	L <sub>502</sub>	L <sub>503</sub>	L <sub>504</sub>	L <sub>505</sub>	L <sub>506</sub>	L <sub>507</sub>	L <sub>508</sub>	L <sub>509</sub>	L <sub>510</sub>	L <sub>511</sub>	L <sub>512</sub>	L <sub>513</sub>	L <sub>514</sub>	L <sub>515</sub>	L <sub>516</sub>	L <sub>517</sub>	L <sub>518</sub>	L <sub>519</sub>	L <sub>520</sub>	L <sub>521</sub>	L <sub>522</sub>	L <sub>523</sub>	L <sub>524</sub>	L <sub>525</sub>	L <sub>526</sub>	L <sub>527</sub>	L <sub>528</sub>	L <sub>529</sub>	L <sub>530</sub>	L <sub>531</sub>	L <sub>532</sub>	L <sub>533</sub>	L <sub>534</sub>	L <sub>535</sub>	L <sub>536</sub>	L <sub>537</sub>	L <sub>538</sub>	L <sub>539</sub>	L <sub>540</sub>	L <sub>541</sub>	L <sub>542</sub>	L <sub>543</sub>	L <sub>544</sub>	L <sub>545</sub>	L <sub>546</sub>	L <sub>547</sub>	L <sub>548</sub>	L <sub>549</sub>	L <sub>550</sub>	L <sub>551</sub>	L <sub>552</sub>	L <sub>553</sub>	L <sub>554</sub>	L <sub>555</sub>	L <sub>556</sub>	L <sub>557</sub>	L <sub>558</sub>	L <sub>559</sub>	L <sub>560</sub>	L <sub>561</sub>	L <sub>562</sub>	L <sub>563</sub>	L <sub>564</sub>	L <sub>565</sub>	L <sub>566</sub>	L <sub>567</sub>	L <sub>568</sub>	L <sub>569</sub>	L <sub>570</sub>	L <sub>571</sub>	L <sub>572</sub>	L <sub>573</sub>	L <sub>574</sub>	L <sub>575</sub>	L <sub>576</sub>	L <sub>577</sub>	L <sub>578</sub>	L <sub>579</sub>	L <sub>580</sub>	L <sub>581</sub>	L <sub>582</sub>	L <sub>583</sub>	L <sub>584</sub>	L <sub>585</sub>	L <sub>586</sub>	L <sub>587</sub>	L <sub>588</sub>	L <sub>589</sub>	L <sub>590</sub>	L <sub>591</sub>	L <sub>592</sub>	L <sub>593</sub>	L <sub>594</sub>	L <sub>595</sub>	L <sub>596</sub>	L <sub>597</sub>	L <sub>598</sub>	L <sub>599</sub>	L <sub>600</sub>	L <sub>601</sub>	L <sub>602</sub>	L <sub>603</sub>	L <sub>604</sub>	L <sub>605</sub>	L <sub>606</sub>	L <sub>607</sub>	L <sub>608</sub>	L <sub>609</sub>	L <sub>610</sub>	L <sub>611</sub>	L <sub>612</sub>	L <sub>613</sub>	L <sub>614</sub>	L <sub>615</sub>	L <sub>616</sub>	L <sub>617</sub>	L <sub>618</sub>	L <sub>619</sub>	L <sub>620</sub>	L <sub>621</sub>	L <sub>622</sub>	L <sub>623</sub>	L <sub>624</sub>	L <sub>625</sub>	L <sub>626</sub>	L <sub>627</sub>	L <sub>628</sub>	L <sub>629</sub>	L <sub>630</sub>	L <sub>631</sub>	L <sub>632</sub>	L <sub>633</sub>	L <sub>634</sub>	L <sub>635</sub>	L <sub>636</sub>	L <sub>637</sub>	L <sub>638</sub>	L <sub>639</sub>	L <sub>640</sub>	L <sub>641</sub>	L <sub>642</sub>	L <sub>643</sub>	L <sub>644</sub>	L <sub>645</sub>	L <sub>646</sub>	L <sub>647</sub>	L <sub>648</sub>	L <sub>649</sub>	L <sub>650</sub>	L <sub>651</sub>	L <sub>652</sub>	L <sub>653</sub>	L <sub>654</sub>	L <sub>655</sub>	L <sub>656</sub>	L <sub>657</sub>	L <sub>658</sub>	L <sub>659</sub>	L <sub>660</sub>	L <sub>661</sub>	L <sub>662</sub>	L <sub>663</sub>	L <sub>664</sub>	L <sub>665</sub>	L <sub>666</sub>	L <sub>667</sub>	L <sub>668</sub>	L <sub>669</sub>	L <sub>670</sub>	L <sub>671</sub>	L <sub>672</sub>	L <sub>673</sub>	L <sub>674</sub>	L <sub>675</sub>
------------------------	----------------	----------	---	----------------	----------------------------------	----------------	----------------	----------------	----------------	----------------------------------	---	----------------	---	----------------	----------------	--	----------------	----------------	----------------	----------------	----------------	----------------	----------------	-----------------	-----------------	-----------------	-----------------	-----------------	-----------------	-----------------	-----------------	-----------------	-----------------	-----------------	-----------------	-----------------	-----------------	-----------------	-----------------	-----------------	-----------------	-----------------	-----------------	-----------------	-----------------	-----------------	-----------------	-----------------	-----------------	-----------------	-----------------	-----------------	-----------------	-----------------	-----------------	-----------------	-----------------	-----------------	-----------------	-----------------	-----------------	-----------------	-----------------	-----------------	-----------------	-----------------	-----------------	-----------------	-----------------	-----------------	-----------------	-----------------	-----------------	-----------------	-----------------	-----------------	-----------------	-----------------	-----------------	-----------------	-----------------	-----------------	-----------------	-----------------	-----------------	-----------------	-----------------	-----------------	-----------------	-----------------	-----------------	-----------------	-----------------	-----------------	-----------------	-----------------	-----------------	-----------------	-----------------	-----------------	-----------------	-----------------	-----------------	-----------------	-----------------	-----------------	-----------------	-----------------	-----------------	-----------------	-----------------	-----------------	-----------------	------------------	------------------	------------------	------------------	------------------	------------------	------------------	------------------	------------------	------------------	------------------	------------------	------------------	------------------	------------------	------------------	------------------	------------------	------------------	------------------	------------------	------------------	------------------	------------------	------------------	------------------	------------------	------------------	------------------	------------------	------------------	------------------	------------------	------------------	------------------	------------------	------------------	------------------	------------------	------------------	------------------	------------------	------------------	------------------	------------------	------------------	------------------	------------------	------------------	------------------	------------------	------------------	------------------	------------------	------------------	------------------	------------------	------------------	------------------	------------------	------------------	------------------	------------------	------------------	------------------	------------------	------------------	------------------	------------------	------------------	------------------	------------------	------------------	------------------	------------------	------------------	------------------	------------------	------------------	------------------	------------------	------------------	------------------	------------------	------------------	------------------	------------------	------------------	------------------	------------------	------------------	------------------	------------------	------------------	------------------	------------------	------------------	------------------	------------------	------------------	------------------	------------------	------------------	------------------	------------------	------------------	------------------	------------------	------------------	------------------	------------------	------------------	------------------	------------------	------------------	------------------	------------------	------------------	------------------	------------------	------------------	------------------	------------------	------------------	------------------	------------------	------------------	------------------	------------------	------------------	------------------	------------------	------------------	------------------	------------------	------------------	------------------	------------------	------------------	------------------	------------------	------------------	------------------	------------------	------------------	------------------	------------------	------------------	------------------	------------------	------------------	------------------	------------------	------------------	------------------	------------------	------------------	------------------	------------------	------------------	------------------	------------------	------------------	------------------	------------------	------------------	------------------	------------------	------------------	------------------	------------------	------------------	------------------	------------------	------------------	------------------	------------------	------------------	------------------	------------------	------------------	------------------	------------------	------------------	------------------	------------------	------------------	------------------	------------------	------------------	------------------	------------------	------------------	------------------	------------------	------------------	------------------	------------------	------------------	------------------	------------------	------------------	------------------	------------------	------------------	------------------	------------------	------------------	------------------	------------------	------------------	------------------	------------------	------------------	------------------	------------------	------------------	------------------	------------------	------------------	------------------	------------------	------------------	------------------	------------------	------------------	------------------	------------------	------------------	------------------	------------------	------------------	------------------	------------------	------------------	------------------	------------------	------------------	------------------	------------------	------------------	------------------	------------------	------------------	------------------	------------------	------------------	------------------	------------------	------------------	------------------	------------------	------------------	------------------	------------------	------------------	------------------	------------------	------------------	------------------	------------------	------------------	------------------	------------------	------------------	------------------	------------------	------------------	------------------	------------------	------------------	------------------	------------------	------------------	------------------	------------------	------------------	------------------	------------------	------------------	------------------	------------------	------------------	------------------	------------------	------------------	------------------	------------------	------------------	------------------	------------------	------------------	------------------	------------------	------------------	------------------	------------------	------------------	------------------	------------------	------------------	------------------	------------------	------------------	------------------	------------------	------------------	------------------	------------------	------------------	------------------	------------------	------------------	------------------	------------------	------------------	------------------	------------------	------------------	------------------	------------------	------------------	------------------	------------------	------------------	------------------	------------------	------------------	------------------	------------------	------------------	------------------	------------------	------------------	------------------	------------------	------------------	------------------	------------------	------------------	------------------	------------------	------------------	------------------	------------------	------------------	------------------	------------------	------------------	------------------	------------------	------------------	------------------	------------------	------------------	------------------	------------------	------------------	------------------	------------------	------------------	------------------	------------------	------------------	------------------	------------------	------------------	------------------	------------------	------------------	------------------	------------------	------------------	------------------	------------------	------------------	------------------	------------------	------------------	------------------	------------------	------------------	------------------	------------------	------------------	------------------	------------------	------------------	------------------	------------------	------------------	------------------	------------------	------------------	------------------	------------------	------------------	------------------	------------------	------------------	------------------	------------------	------------------	------------------	------------------	------------------	------------------	------------------	------------------	------------------	------------------	------------------	------------------	------------------	------------------	------------------	------------------	------------------	------------------	------------------	------------------	------------------	------------------	------------------	------------------	------------------	------------------	------------------	------------------	------------------	------------------	------------------	------------------	------------------	------------------	------------------	------------------	------------------	------------------	------------------	------------------	------------------	------------------	------------------	------------------	------------------	------------------	------------------	------------------	------------------	------------------	------------------	------------------	------------------	------------------	------------------	------------------	------------------	------------------	------------------	------------------	------------------	------------------	------------------	------------------	------------------	------------------	------------------	------------------	------------------	------------------	------------------	------------------	------------------	------------------	------------------	------------------	------------------	------------------	------------------	------------------	------------------	------------------	------------------	------------------	------------------	------------------	------------------	------------------	------------------	------------------	------------------	------------------	------------------	------------------	------------------	------------------	------------------	------------------	------------------	------------------	------------------	------------------	------------------	------------------	------------------	------------------	------------------	------------------	------------------	------------------	------------------	------------------	------------------	------------------	------------------	------------------	------------------	------------------	------------------	------------------	------------------	------------------	------------------	------------------	------------------	------------------	------------------	------------------	------------------	------------------	------------------	------------------	------------------	------------------	------------------	------------------	------------------	------------------	------------------	------------------	------------------	------------------	------------------	------------------	------------------	------------------	------------------	------------------	------------------	------------------	------------------	------------------	------------------	------------------	------------------	------------------	------------------	------------------	------------------	------------------	------------------	------------------	------------------	------------------	------------------	------------------	------------------	------------------	------------------	------------------	------------------	------------------	------------------	------------------	------------------

Обозначение зажимов	Дет. 1 Валик-шестерня	Дет. 2 Рейка	Дет. 3 Фланец	Дет. 4 Винт ГОСТ 1491—80	Дет. 5 Рукоятка ГОСТ 3055—69	Дет. 6 Штифт ГОСТ 3128—70	Количество			
							1	1	4	1
							Обозначение Деталей			
7038-0014	7038-0011/001	7038-0014/002	7038-0011/003	В.М5—6г × ×10,66.05	7061-0016	3шт6×20				
7038-0012*	7038-0012/001	—	7038-0011/003	В.М5—6г × ×10,66.05	7061-0017	4шт6×25				
7038-0013	7038-0013/001	7038-0013/002	7038-0015/003	В.М6—6г × ×16,66.05	7061-0024	5шт6×32				
7038-0014*	7038-0014/001	—	7038-0016/003	В.М6—6г × ×16,66.05	7061-0031	6шт6×40				
7038-0015	7038-0015/001	7038-0015/002	7038-0016/003	В.М8—6г × ×20,66.05	7061-0038	8шт6×50				
7038-0016	7038-0016/001	—	7038-0021/003	—	—	—				
7038-0017*	7038-0017/001	—	7038-0022/003	—	—	—				
7038-0018	7038-0018/001	7038-0018/002	—	—	—	—				
7038-0019	7038-0019/001	—	—	—	—	—				
7038-0020*	7038-0020/001	—	—	—	—	—				
7038-0021	7038-0021/001	7038-0021/002	—	—	—	—				
7038-0023	7038-0022/001	—	—	—	—	—				
7038-0023*	7038-0023/001	—	—	—	—	—				

\* На данный типоразмер зажима рейка (дет. 2) стан дартом не предусмотрена (проектируется заказчиком по конструктивным соображениям).

Примечание. При усилки на рукоятке 157Н (16 кгс) сила натяжения рейки составляет 588—735Н (60—75 кгс).